

**WARNUNG**

Gefahr des Verlusts der Text-Bild-Zuordnung beim Ausdruck.

- **Aus technischen Gründen kann derzeit nicht ausgeschlossen werden, dass trotz einwandfreier Darstellung auf dem Bildschirm beim Ausdruck der Zusammenhang von Text und zugehörigem Bild verloren geht.**
- **Wird der Fehler nicht bemerkt, besteht die Gefahr, daß Arbeiten nicht korrekt durchgeführt werden und es dadurch zu Personen- und Sachschäden kommt.**

→ Vergleichen Sie deshalb nach dem Druckvorgang unbedingt die Ausdrücke mit der Bildschirmdarstellung. Korrigieren Sie die Ausdrücke im Fehlerfall so, daß der Inhalt der Bildschirmdarstellung zutreffend wiedergegeben wird.

**WARNING**

Danger of losing text-figure correspondence when printing out.

- **For technical reasons, it can currently not be ruled out that the correspondence between text and associated figure can be lost when it is printed out, even though the display on the screen is correct.**
- **If the fault is not noticed, there is the danger that work will not be performed correctly which can cause injury and damage.**

→ Therefore, always compare printouts with the screen display after printing them out. Correct the printouts if they are faulty so that the content of the screen display matches that on the printouts.

**AVERTISSEMENT**

Risque de perte de la correspondance texte-illustration lors de l'impression papier.

- **Pour des raisons techniques, il ne peut pas être exclu à l'heure actuelle que, même en cas d'affichage correct à l'écran, la correspondance entre le texte et l'illustration puisse être erronée sur l'impression papier.**
- **Si l'erreur passe inaperçue, on court le risque d'exécuter certaines opérations de manière incorrecte pouvant conduire à des dommages corporels et matériels.**

→ Comparez impérativement pour cette raison les impressions papier avec l'affichage à l'écran. Corrigez-les en cas d'erreur de manière à reproduire correctement l'affichage à l'écran.

**ATTENZIONE**

Pericolo di perdita dell'abbinamento testo-immagine nella stampa.

- **Per motivi tecnici non è escluso che, nonostante la rappresentazione sullo schermo risulti perfetta, durante la stampa venga persa la corrispondenza fra testo e relativa immagine.**
- **Se tale difetto non viene rilevato vi è il pericolo che i lavori non siano eseguiti correttamente; ciò può avere come conseguenza lesioni e danneggiamenti.**

→ Per questo motivo, dopo la stampa è assolutamente necessario confrontare le stampe con la rappresentazione sullo schermo. In caso di errore si prega di correggere le stampe, così da garantire la riproduzione esatta della rappresentazione sullo schermo.

**ADVERTENCIA**

Al imprimir se corre el riesgo de perder la correcta asignación de las figuras al texto.

- **Por motivos técnicos, por el momento no se puede descartar que, aun siendo correcta la imagen que aparezca en la pantalla, al imprimir se pierda la correlación entre el texto y la figura correspondiente.**
- **Si este error pasara desapercibido, existe el riesgo de que los trabajos no se ejecuten de forma correcta y, por tanto, se produzcan daños personales y materiales.**

→ Por ello le rogamos que tras el proceso de impresión compare siempre las copias impresas con la imagen de la pantalla. En caso de error, corrija las copias impresas de forma que se correspondan con el contenido de la imagen de la pantalla.

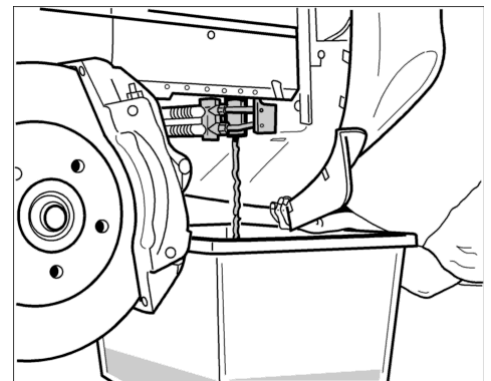
19 40 19 Removing and installing coolant expansion tank - as of MY 2003

- [Preliminary work](#)
- [Removing coolant expansion tank](#)
- [Installing coolant expansion tank](#)
- [Subsequent work](#)

Preliminary work

Preliminary work

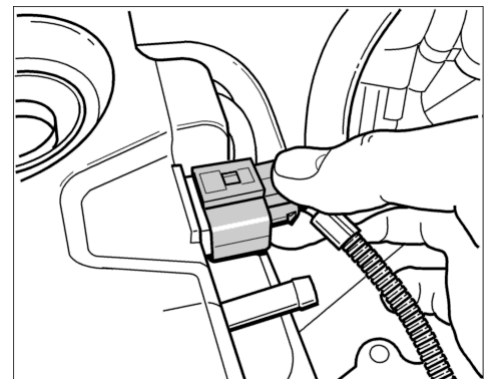
1. Drain cooling system. → 193817 Draining and filling coolant (includes bleeding) - chapter on "Draining"
2. Remove the right-hand headlight. → 941519 Removing and installing main headlight - chapter on "Removing"
3. Remove engine compartment cover on the right and rear. → 700219 Removing and reinstalling front cover (engine compartment) - chapter on "Removing"



Draining cooling system

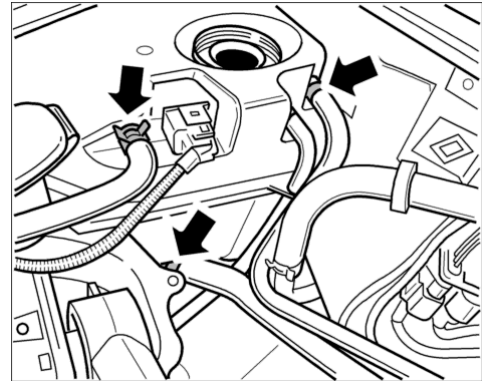
Removing coolant expansion tank

1. Remove electric connector from coolant reservoir.



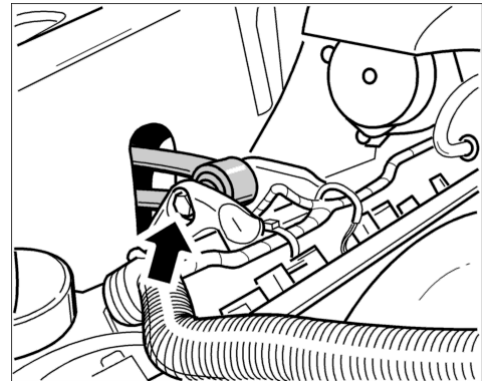
Electric connector on coolant reservoir

2. Pull off the three coolant hoses shown.



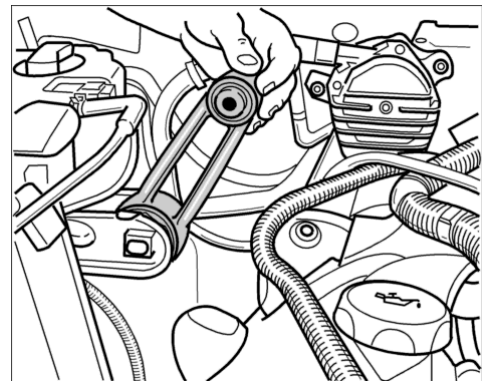
Coolant hoses

3. Detach the torque support. To do this, unscrew the fastening screw on the torque support bracket and pull it out.



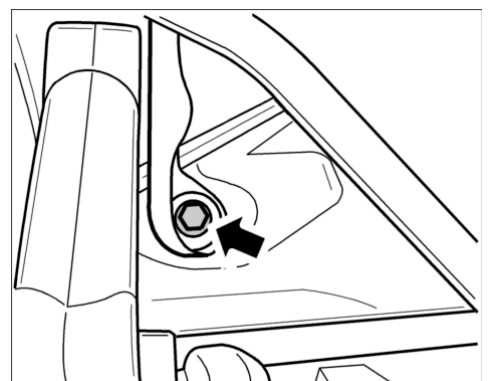
Fastening screw for torque support bracket

4. Detach the torque support from the body and swivel upwards.

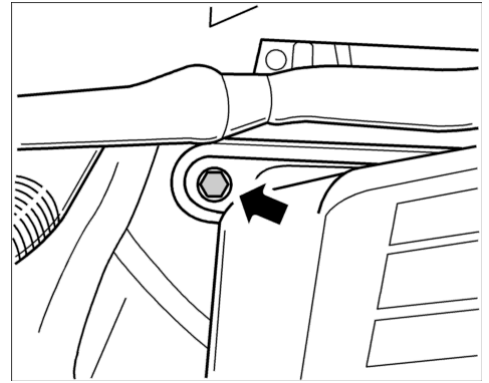


Torque support on body

5. Undo torque support bracket fastening screw from the body. One fastening screw is loosened through the headlight opening. The second screw is accessible from the top.

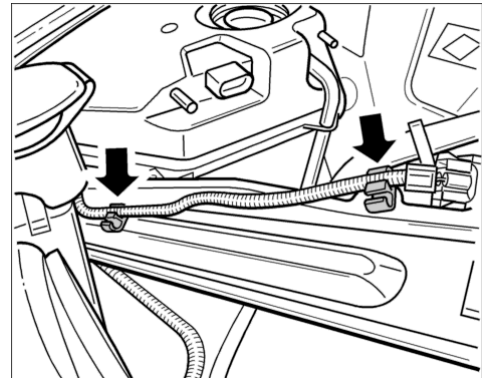


View shows screw on spring dome



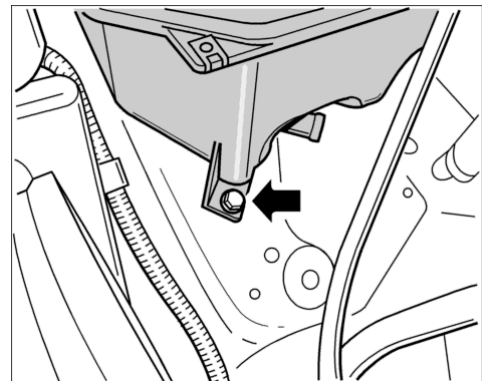
View shows how screw is connected through headlight opening

6. Remove body bracket. When doing this, unclip the electric cable (2 x).
7. Loosen the secondary air pump from cylinder row 1-4. → 266519 Removing and installing secondary air pump - chapter on "Removing"



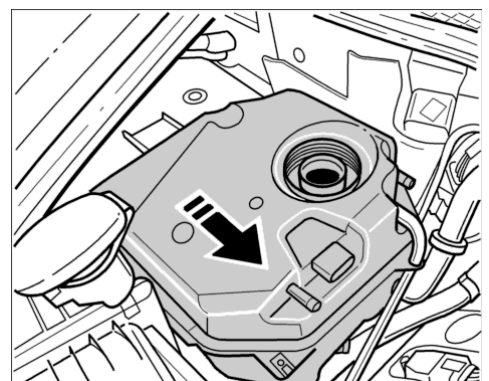
Taking out electric cable

8. Undo the coolant reservoir fastening screw.



Fastening screw

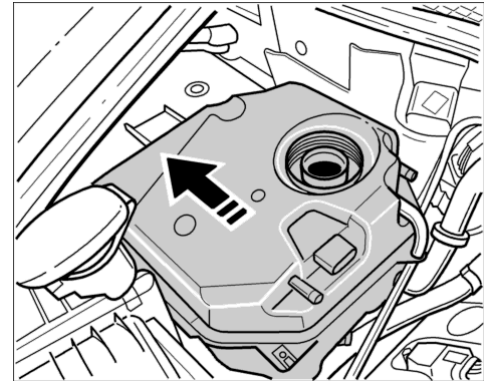
9. Pull coolant reservoir towards engine and take out of the holder.



Coolant reservoir

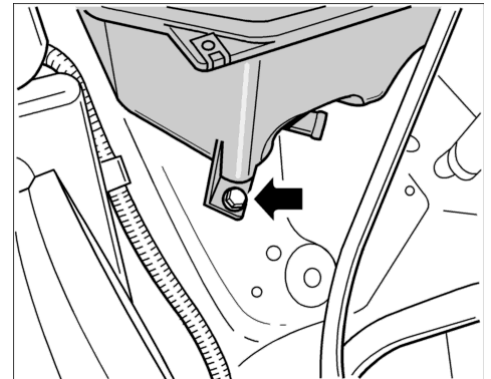
Installing coolant expansion tank

1. Insert coolant reservoir into the holder and push in the direction of the wing.



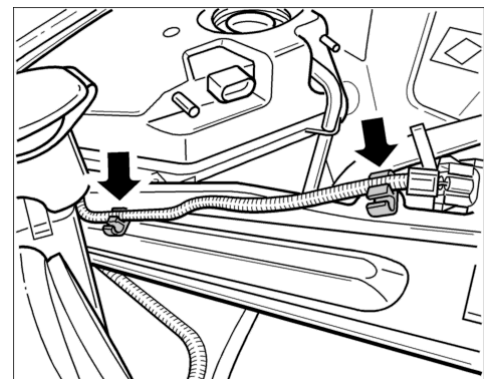
Coolant reservoir

2. Tighten fastening screw. → **Tightening torque: 7.5 ftlb.**
3. Tighten the secondary air pump from cylinder row 1-4. → 266519
Removing and installing secondary air pump - chapter on "Installing"



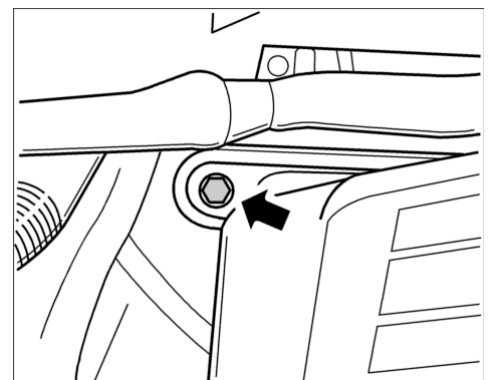
Fastening screw, coolant reservoir

4. Reinstall body bracket for the torque support. Clip on electric cable for coolant reservoir (2 x).



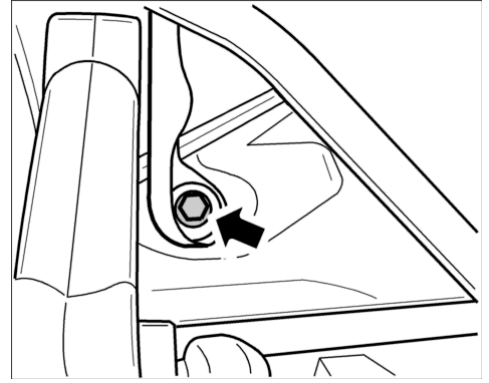
Clipping in electric cable

5. Tighten fastening screw (M10 x 20) through the headlight opening. → **Tightening torque: 44 ftlb.**



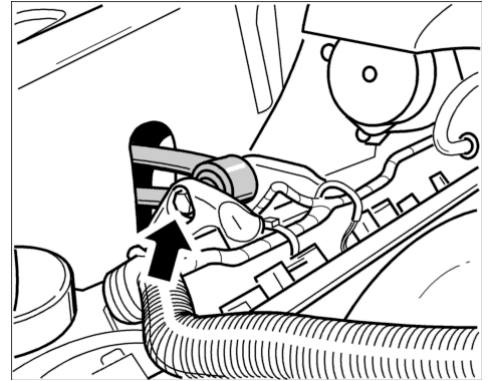
Tightening fastening screw through the headlight opening

6. Tighten fastening screw (M10 x 37) from the engine compartment. → **Initial tightening: 37 ftlb.** → **Final tightening: 90 °**



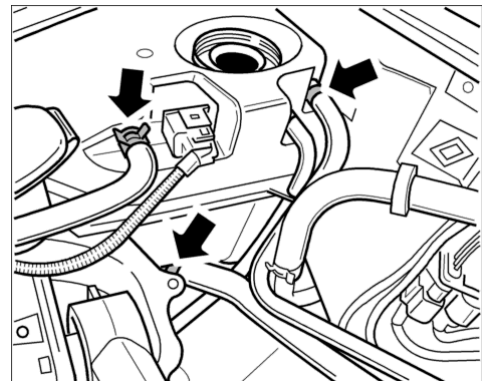
Tightening fastening screw from the engine compartment

7. Reinstall torque support. Install the fastening screw (M10 x 85) with a new fastening nut on the bracket. → **Tightening torque: 44 ftlb.**
8. Tighten the fastening screw of the torque support onto the body (M10 x 70). → **Tightening torque: 44 ftlb.**



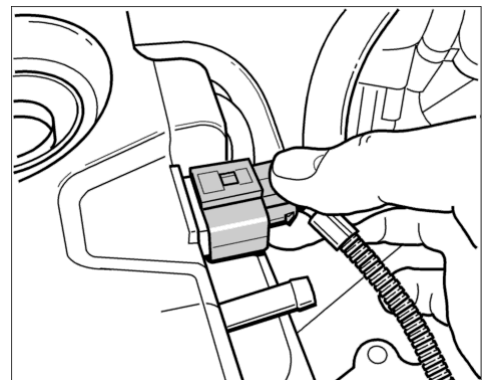
Torque converter support

9. Mount and tighten the three coolant hoses.



Coolant hoses

10. Connect electric plug to reservoir.



Electric connector to reservoir

Subsequent work

Subsequent work

1. Install the engine compartment cover at the right and rear. → 700219 Removing and reinstalling front cover

(engine compartment) - chapter on "Installing"

2. Install right headlight. → 941519 Removing and installing main headlight - chapter on "Installing"
 3. Fill and bleed the cooling system. → 193817 Draining and filling coolant (includes bleeding) - chapter on "Filling"
-

9PAAE1, 9PAAE7, 9PAAF1

as of MY 2003

Country C00, C02, C05, C07, C08, C09, C10, C11, C12, C13, C14, C15, C16, C18, C19, C20, C21, C22, C23, C24, C25, C26, C27, C28, C32, C33, C34, C35, C36, C37, C38, C39, C45, C46, C98, C99