

**WARNUNG**

Gefahr des Verlusts der Text-Bild-Zuordnung beim Ausdruck.

- **Aus technischen Gründen kann derzeit nicht ausgeschlossen werden, dass trotz einwandfreier Darstellung auf dem Bildschirm beim Ausdruck der Zusammenhang von Text und zugehörigem Bild verloren geht.**
- **Wird der Fehler nicht bemerkt, besteht die Gefahr, daß Arbeiten nicht korrekt durchgeführt werden und es dadurch zu Personen- und Sachschäden kommt.**

→ Vergleichen Sie deshalb nach dem Druckvorgang unbedingt die Ausdrücke mit der Bildschirmdarstellung. Korrigieren Sie die Ausdrücke im Fehlerfall so, daß der Inhalt der Bildschirmdarstellung zutreffend wiedergegeben wird.

**WARNING**

Danger of losing text-figure correspondence when printing out.

- **For technical reasons, it can currently not be ruled out that the correspondence between text and associated figure can be lost when it is printed out, even though the display on the screen is correct.**
- **If the fault is not noticed, there is the danger that work will not be performed correctly which can cause injury and damage.**

→ Therefore, always compare printouts with the screen display after printing them out. Correct the printouts if they are faulty so that the content of the screen display matches that on the printouts.

**AVERTISSEMENT**

Risque de perte de la correspondance texte-illustration lors de l'impression papier.

- **Pour des raisons techniques, il ne peut pas être exclu à l'heure actuelle que, même en cas d'affichage correct à l'écran, la correspondance entre le texte et l'illustration puisse être erronée sur l'impression papier.**
- **Si l'erreur passe inaperçue, on court le risque d'exécuter certaines opérations de manière incorrecte pouvant conduire à des dommages corporels et matériels.**

→ Comparez impérativement pour cette raison les impressions papier avec l'affichage à l'écran. Corrigez-les en cas d'erreur de manière à reproduire correctement l'affichage à l'écran.

**ATTENZIONE**

Pericolo di perdita dell'abbinamento testo-immagine nella stampa.

- **Per motivi tecnici non è escluso che, nonostante la rappresentazione sullo schermo risulti perfetta, durante la stampa venga persa la corrispondenza fra testo e relativa immagine.**
- **Se tale difetto non viene rilevato vi è il pericolo che i lavori non siano eseguiti correttamente; ciò può avere come conseguenza lesioni e danneggiamenti.**

→ Per questo motivo, dopo la stampa è assolutamente necessario confrontare le stampe con la rappresentazione sullo schermo. In caso di errore si prega di correggere le stampe, così da garantire la riproduzione esatta della rappresentazione sullo schermo.

**ADVERTENCIA**

Al imprimir se corre el riesgo de perder la correcta asignación de las figuras al texto.

- **Por motivos técnicos, por el momento no se puede descartar que, aun siendo correcta la imagen que aparezca en la pantalla, al imprimir se pierda la correlación entre el texto y la figura correspondiente.**
- **Si este error pasara desapercibido, existe el riesgo de que los trabajos no se ejecuten de forma correcta y, por tanto, se produzcan daños personales y materiales.**

→ Por ello le rogamos que tras el proceso de impresión compare siempre las copias impresas con la imagen de la pantalla. En caso de error, corrija las copias impresas de forma que se correspondan con el contenido de la imagen de la pantalla.

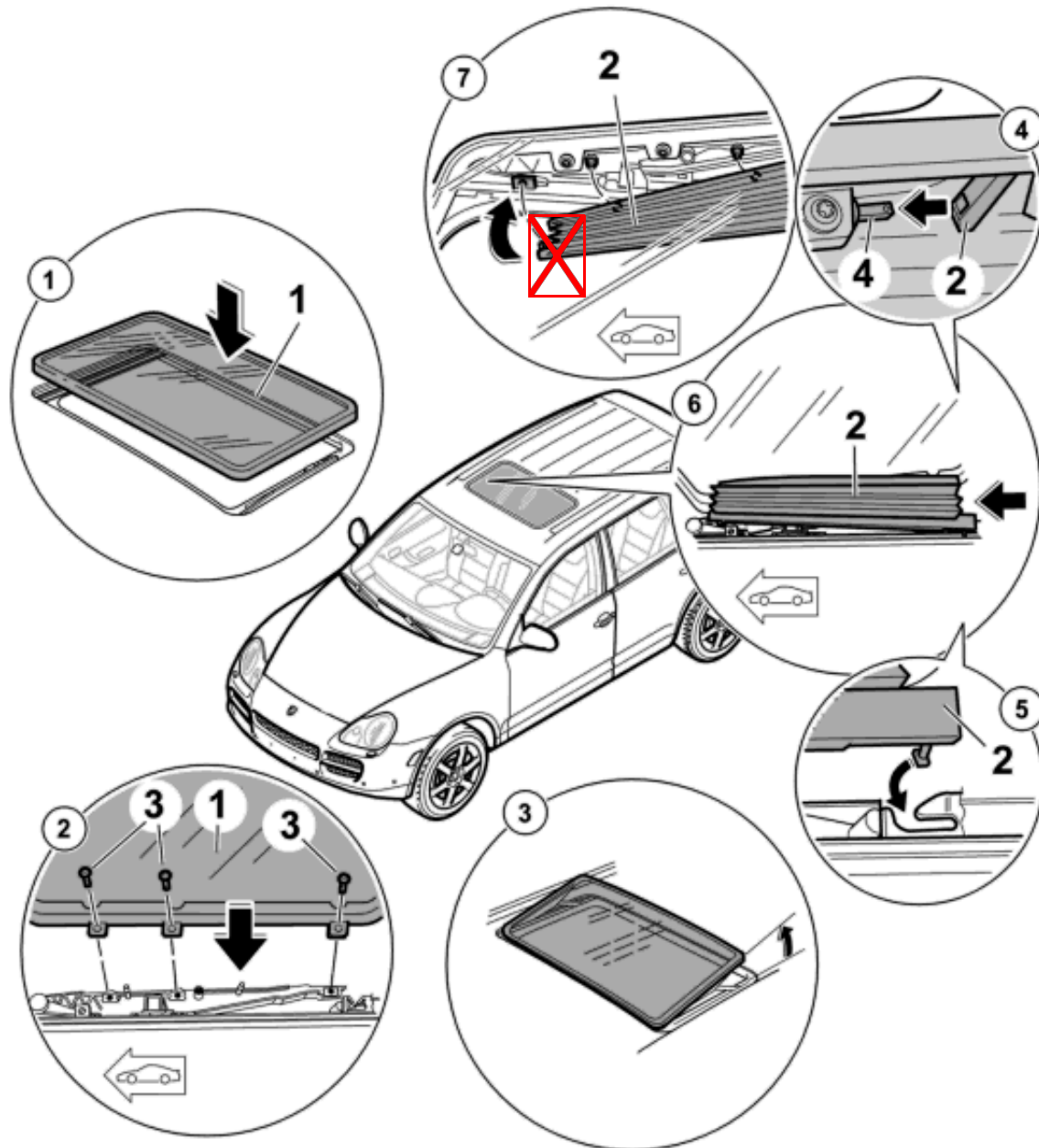
60 40 19 Removing and installing sunroof panel - as of MY 2003

- [Removing sunroof panel](#)
- [Installing sunroof panel](#)
- [Adjusting sunroof panel](#)

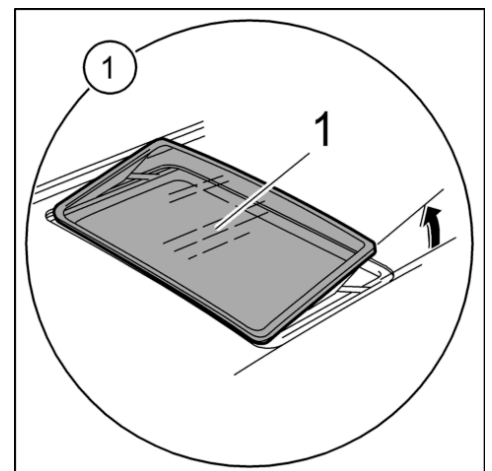
Removing sunroof panel

Removing sunroof panel

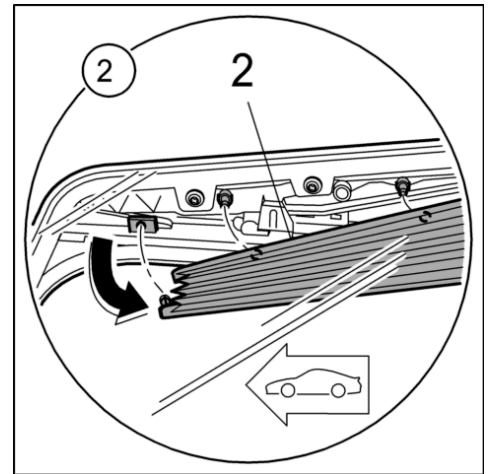
Installation Location:



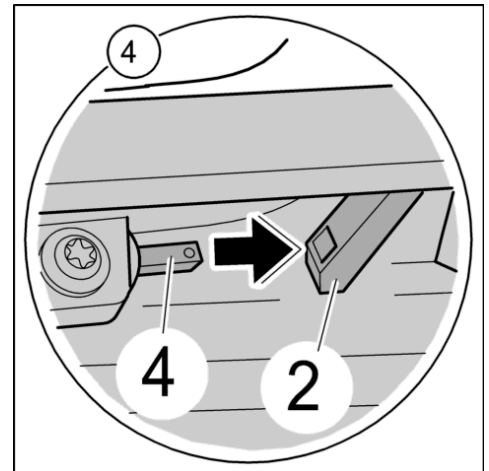
1. Lift sunroof panel.
- 1.1. Move sunroof panel **-1-** to the final raised position.
2. Slide sun blind backwards.



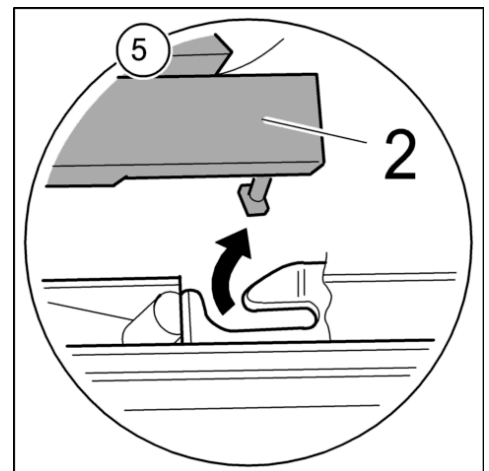
3. Unclip bellows.
- 3.1. Unclip bellows **-2-** at the top and bottom in the front area towards the centre of the vehicle.
4. Unhook bellows.



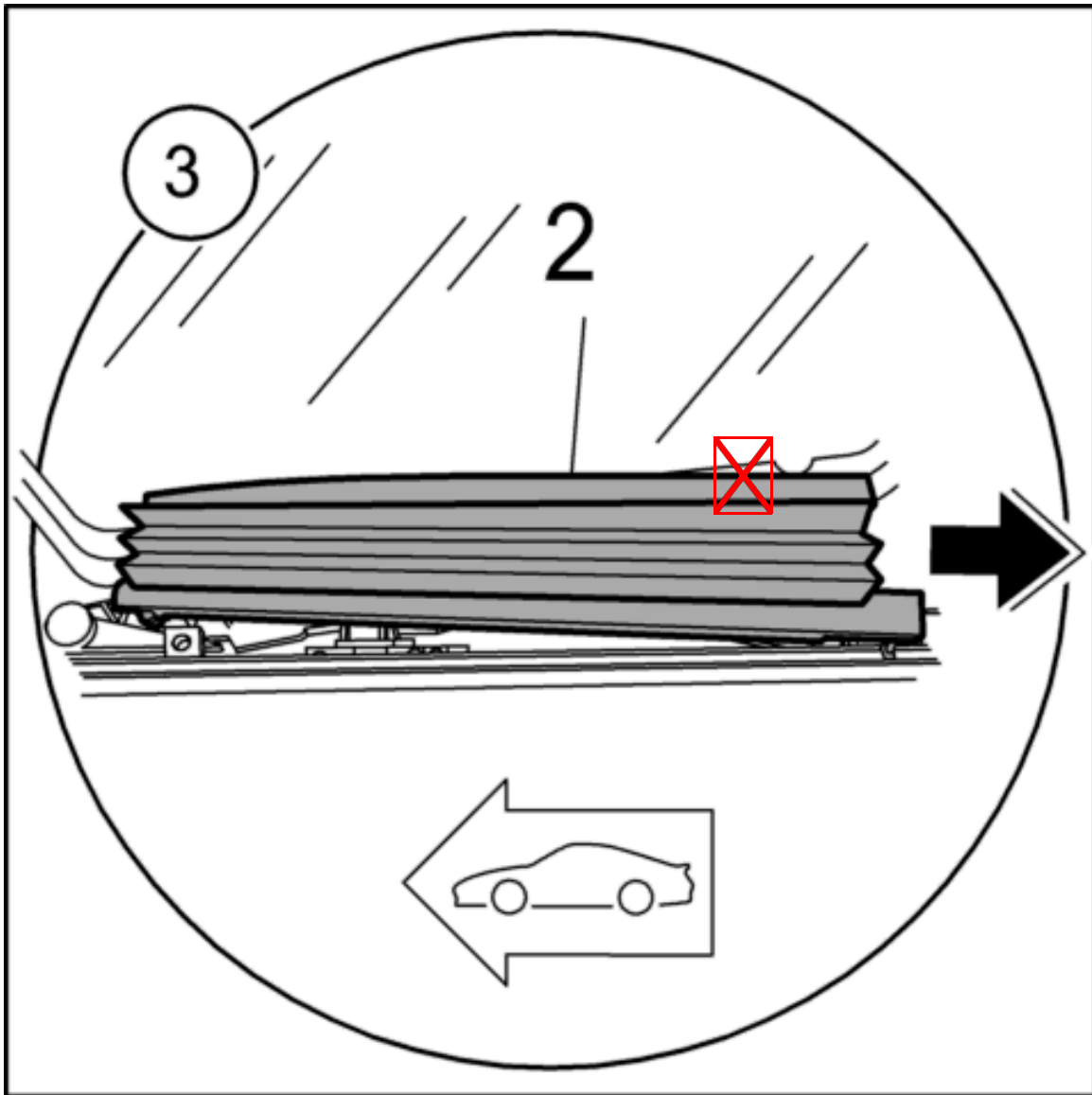
- 4.1. Unhook bellows **-2-** at the top in the rear area backwards out of the retaining pivot **-4-** .
- 4.2. Push bellows **-2-** at the bottom forwards in the rear area.



- 4.3. Remove bellows **-2-** .

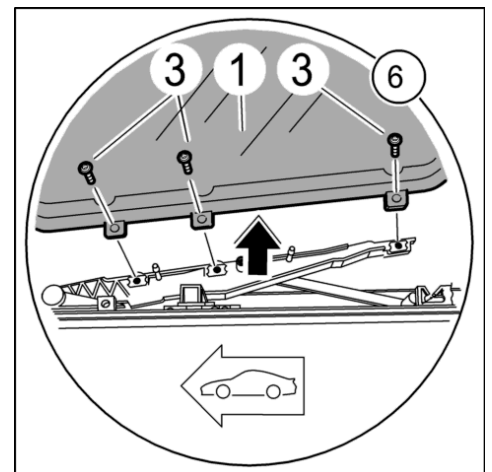


Installation Location:

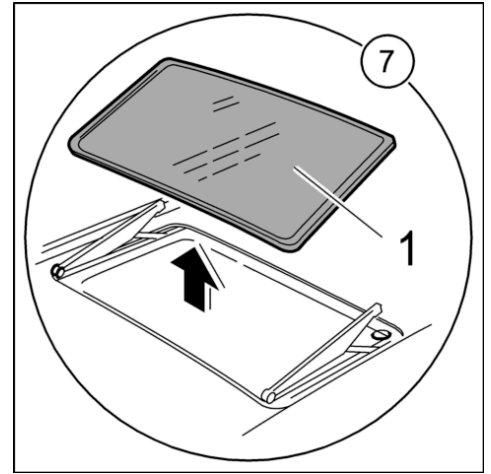


5. Unscrew fastening screws.

5.1. Unscrew fastening screws **-3-** on cover for sliding roof **-1-**.



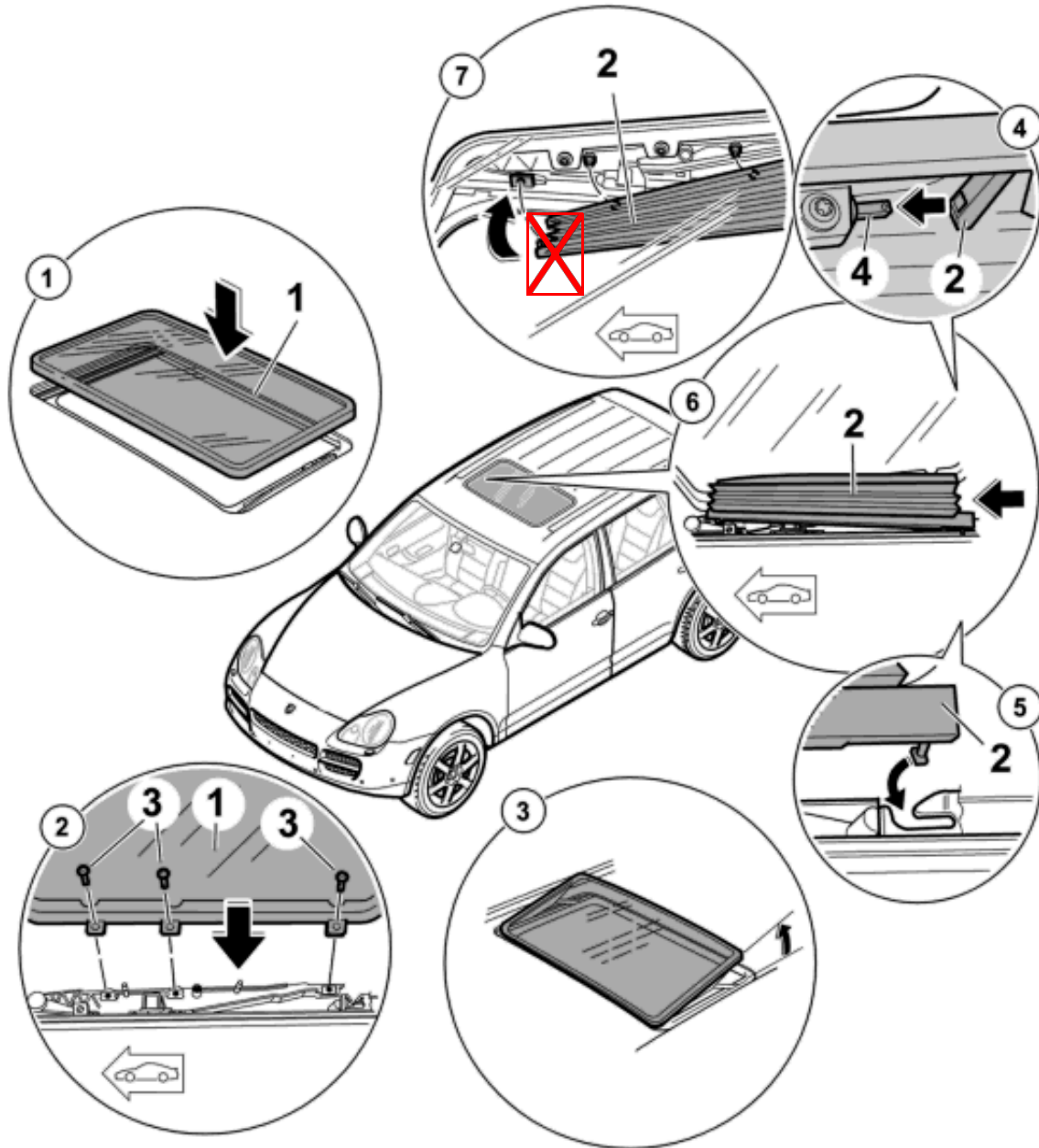
6. Remove sunroof panel.



Installing sunroof panel

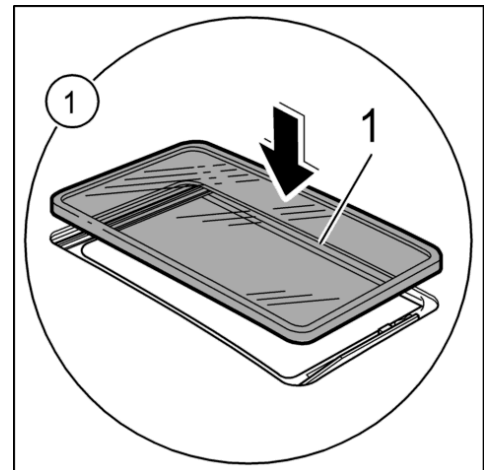
Installing sunroof panel

Installation Location:



1. Move sunroof mechanism to the "roof closed" position.

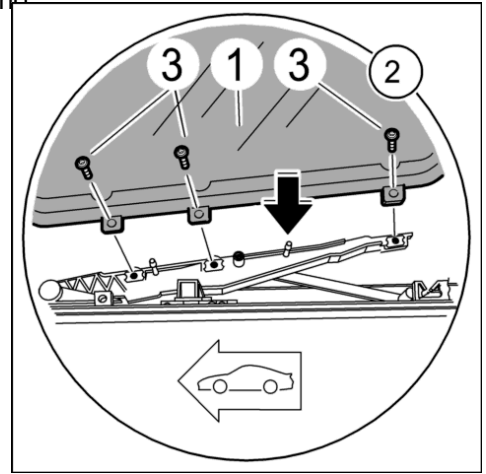
2. Insert sunroof panel.



3. Screw in fastening screws.

3.1. Screw in fastening screws **-3-** and tighten so that the cover for the sliding roof can still be moved easily.

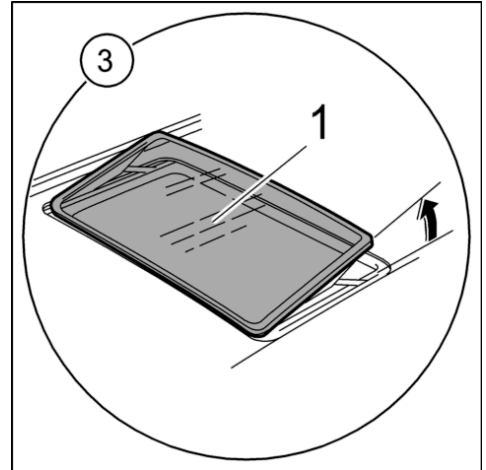
4. → 604019 Removing and installing sunroof panel - chapter on "Installing"



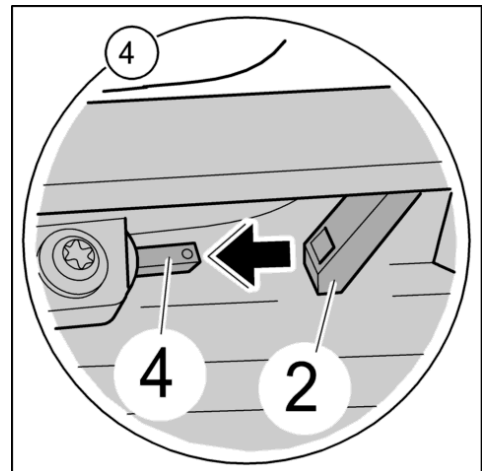
5. Lift sunroof panel.

5.1. Move sunroof panel -1- to the final raised position.

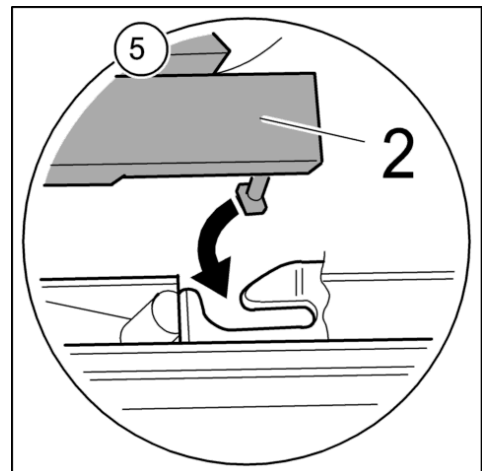
6. Hook in bellows.



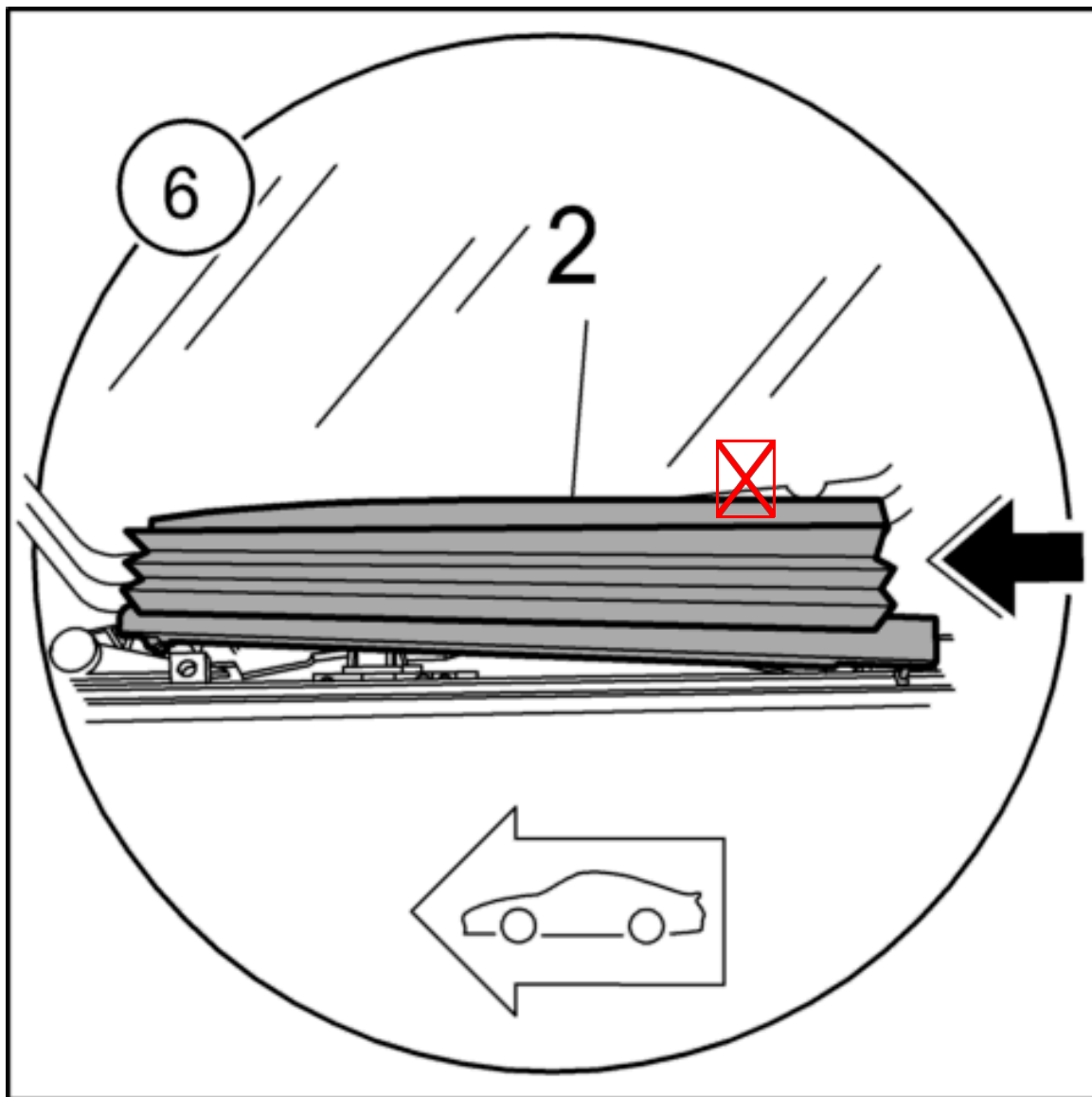
6.1. Hook bellows -2- at the top in the rear area forwards into the retaining pivot -4- .



6.2. Push bellows -2- at the bottom in the rear area backwards into the guide.



Installation Location:

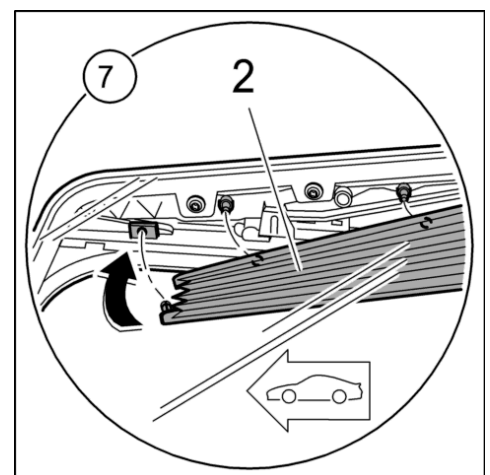


7. Clip in bellows.

7.1. Clip in bellows **-2-** at the top and bottom in the front area.

8. Perform function test.

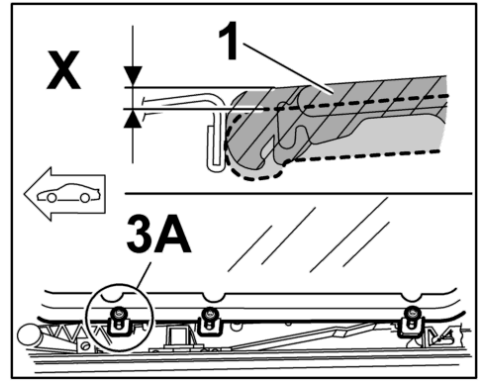
8.1. Check sunroof functions by fully opening and closing or raising.



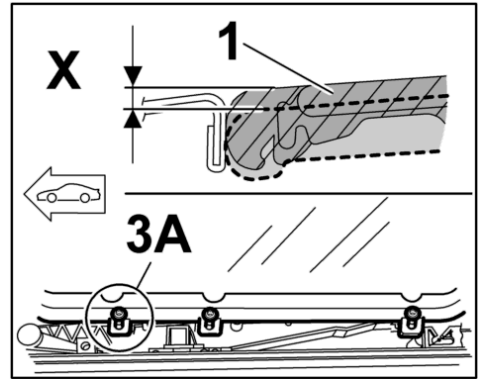
Adjusting sunroof panel

Adjusting sunroof panel

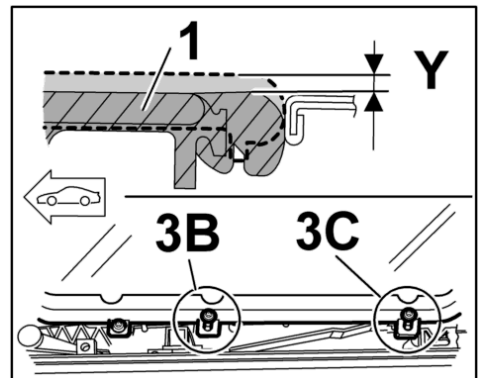
1. Adjust height **-X-** of sunroof panel at front → **Test and adjustment value: 0 mm -1 mm**



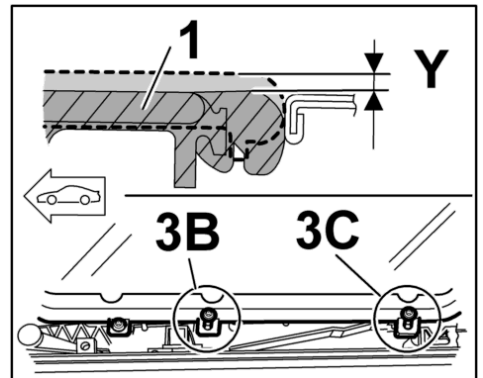
2. Tighten fastening screw M5 **-3A-** to specified tightening torque. →
Tightening torque: 4.5 (3.5 ftlb.) Nm +/-0.5 (0.5 ftlb.) Nm



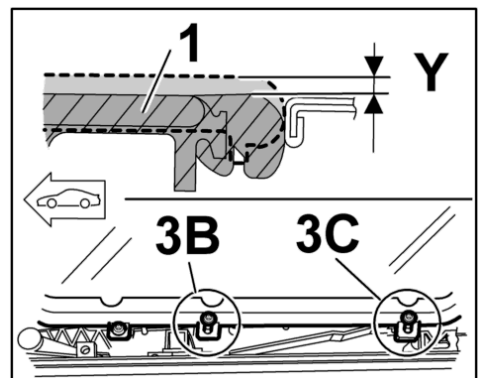
3. Adjust height **-Y-** of cover for sliding roof at rear → **Test and adjustment value: 0 mm +1 mm**



4. Tighten fastening screw M5 **-3B-** to specified tightening torque. →
Tightening torque: 4.5 (3.5 ftlb.) Nm +/-0.5 (0.5 ftlb.) Nm



5. Tighten fastening screw M5 **-3C-** to specified tightening torque. →
Tightening torque: 4.5 (3.5 ftlb.) Nm +/-0.5 (0.5 ftlb.) Nm



9PAAD1, 9PAAD7, 9PAAE1, 9PAAE7, 9PAAF1, 9PAAJ1

as of MY 2003

Country C00, C02, C05, C07, C08, C09, C10, C11, C12, C13, C14, C15, C16, C18, C19, C20, C21, C22, C23, C24, C25, C26, C27, C28, C32, C33, C34, C35, C36, C37, C38, C39, C45, C46, C98, C99