

**WARNUNG**

Gefahr des Verlusts der Text-Bild-Zuordnung beim Ausdruck.

- **Aus technischen Gründen kann derzeit nicht ausgeschlossen werden, dass trotz einwandfreier Darstellung auf dem Bildschirm beim Ausdruck der Zusammenhang von Text und zugehörigem Bild verloren geht.**
- **Wird der Fehler nicht bemerkt, besteht die Gefahr, daß Arbeiten nicht korrekt durchgeführt werden und es dadurch zu Personen- und Sachschäden kommt.**

→ Vergleichen Sie deshalb nach dem Druckvorgang unbedingt die Ausdrucke mit der Bildschirmdarstellung. Korrigieren Sie die Ausdrucke im Fehlerfall so, daß der Inhalt der Bildschirmdarstellung zutreffend wiedergegeben wird.

**WARNING**

Danger of losing text-figure correspondence when printing out.

- **For technical reasons, it can currently not be ruled out that the correspondence between text and associated figure can be lost when it is printed out, even though the display on the screen is correct.**
- **If the fault is not noticed, there is the danger that work will not be performed correctly which can cause injury and damage.**

→ Therefore, always compare printouts with the screen display after printing them out. Correct the printouts if they are faulty so that the content of the screen display matches that on the printouts.

**AVERTISSEMENT**

Risque de perte de la correspondance texte-illustration lors de l'impression papier.

- **Pour des raisons techniques, il ne peut pas être exclu à l'heure actuelle que, même en cas d'affichage correct à l'écran, la correspondance entre le texte et l'illustration puisse être erronée sur l'impression papier.**
- **Si l'erreur passe inaperçue, on court le risque d'exécuter certaines opérations de manière incorrecte pouvant conduire à des dommages corporels et matériels.**

→ Comparez impérativement pour cette raison les impressions papier avec l'affichage à l'écran. Corrigez-les en cas d'erreur de manière à reproduire correctement l'affichage à l'écran.

**ATTENZIONE**

Pericolo di perdita dell'abbinamento testo-immagine nella stampa.

- **Per motivi tecnici non è escluso che, nonostante la rappresentazione sullo schermo risulti perfetta, durante la stampa venga persa la corrispondenza fra testo e relativa immagine.**
- **Se tale difetto non viene rilevato vi è il pericolo che i lavori non siano eseguiti correttamente; ciò può avere come conseguenza lesioni e danneggiamenti.**

→ Per questo motivo, dopo la stampa è assolutamente necessario confrontare le stampe con la rappresentazione sullo schermo. In caso di errore si prega di correggere le stampe, così da garantire la riproduzione esatta della rappresentazione sullo schermo.

**ADVERTENCIA**

Al imprimir se corre el riesgo de perder la correcta asignación de las figuras al texto.

- Por motivos técnicos, por el momento no se puede descartar que, aun siendo correcta la imagen que aparezca en la pantalla, al imprimir se pierda la correlación entre el texto y la figura correspondiente.
- Si este error pasara desapercibido, existe el riesgo de que los trabajos no se ejecuten de forma correcta y, por tanto, se produzcan daños personales y materiales.

→ Por ello le rogamos que tras el proceso de impresión compare siempre las copias impresas con la imagen de la pantalla. En caso de error, corrija las copias impresas de forma que se correspondan con el contenido de la imagen de la pantalla.

37 55 19 Removing and installing ATF pan - as of MY 2003

- Preliminary work
- Removing ATF pan
- Installing ATF pan
- Subsequent work

Preliminary work

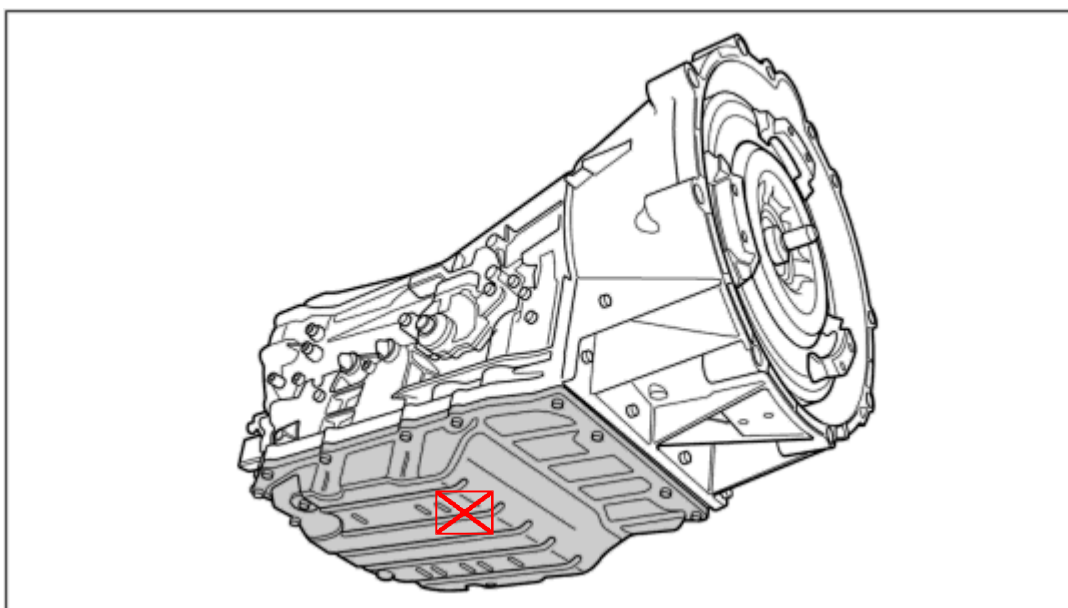
Preliminary work for ATF pan

1. Remove engine guard . → 108019 Removing and installing engine guard - chapter on "removing"

Removing ATF pan

Removing ATF pan

Installation Location:



Overview of ATF pan

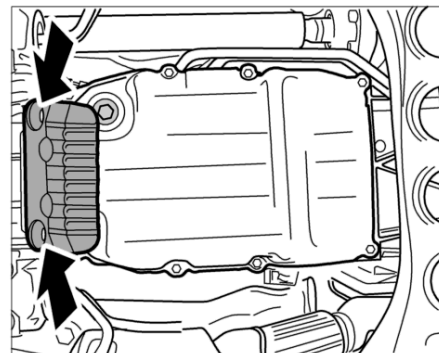


WARNING

Danger of scalding and chemical burns from hot ATF

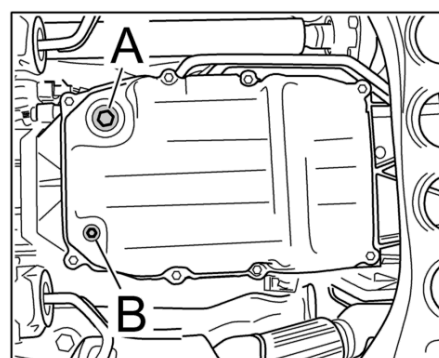
- Allow ATF to cool down
- Wear personal protective gear (goggles, gloves)

1. Remove cover of ATF pan. To do this, loosen the two fastening screws **-arrows-** .



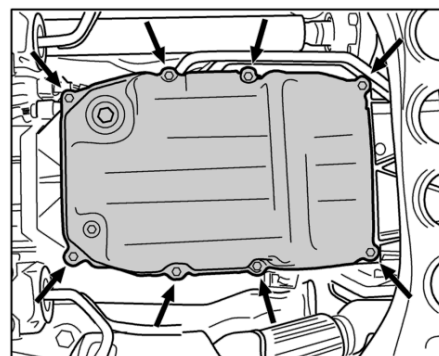
Shield to transmission

2. Place collection pan under the transmission. Unscrew oil drain plug **-B-** and drain ATF.
3. Screw in oil drain plug **-B-** with new sealing ring. → **Tightening torque: 21 ftlb.**



Check screw and oil drain plug

4. Unscrew screws **-arrows-** on the ATF pan and remove pan.

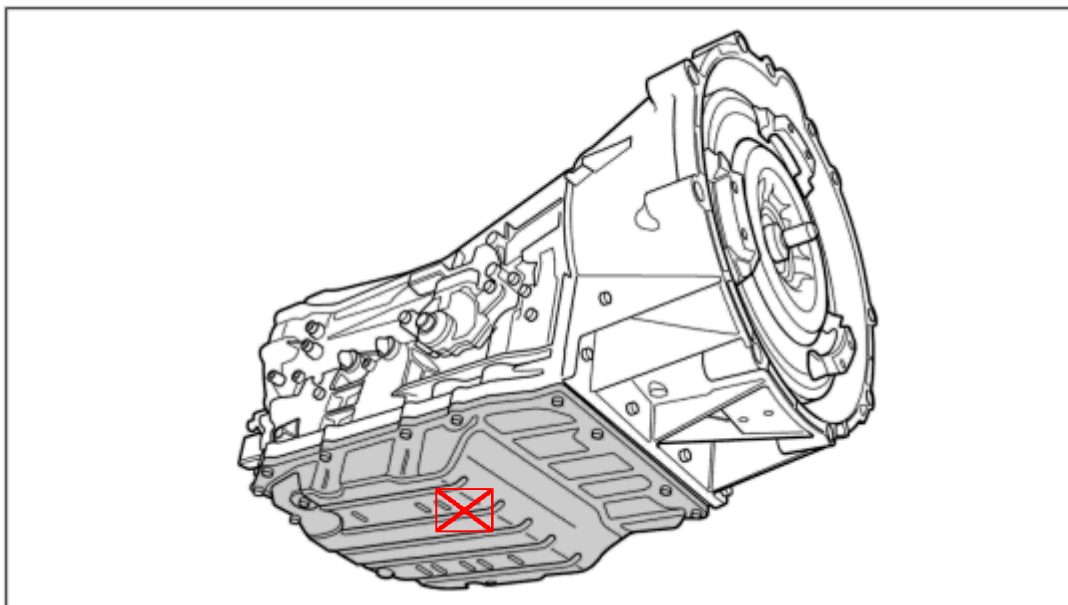


ATF pan

Installing ATF pan

Installing ATF pan

Installation Location:



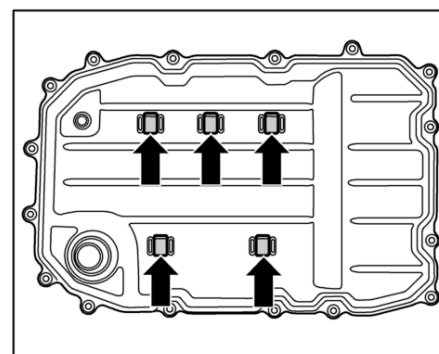
Overview of ATF pan



Note

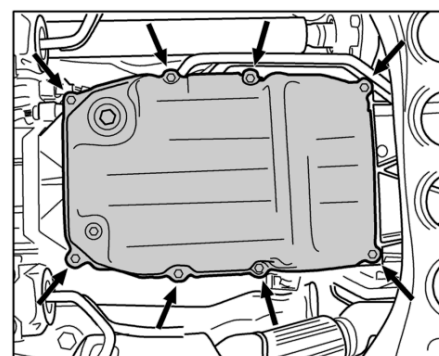
- Make sure that the gasket has been positioned correctly on the bulb of the oil pan edge.

1. Place new gasket on the ATF pan.
2. Check position of the magnets **-arrows-** in the oil pan.



Magnets in the ATF pan

3. Position ATF pan and screw in screws **-arrows-** . → **Tightening torque: 4.5 ftlb.**



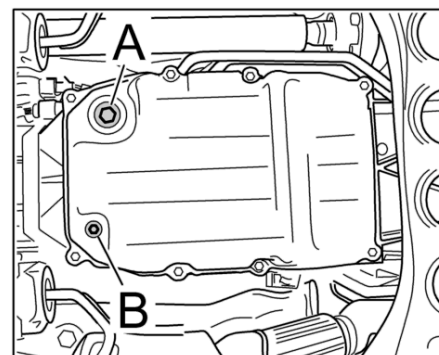
ATF pan



WARNING

Danger of scalding and chemical burns from hot ATF

- Allow ATF to cool down
 - Wear personal protective gear (goggles, gloves)
4. Unscrew oil inspection plug **-A-** and fill ATF until constant emission is visible.
 5. Screw in oil inspection plug again **-A-** with new sealing ring. → **Tightening torque: 52 ftlb.**



Oil inspection plug and oil drain plug

Subsequent work

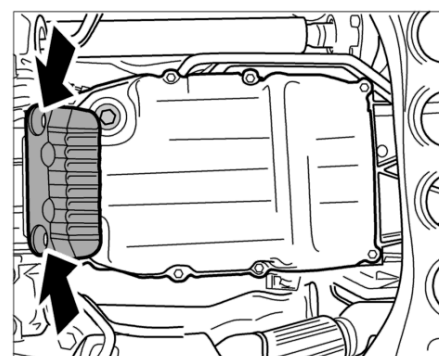
Reworking ATF pan



Note

- Modified ATF filling capacities in the transmission in combination with new control units.
- Observe → "Technische Information 01/04 Gruppe 3" and numbers on transmission and control unit.

1. Check and if necessary, top up the ATF. → 370235 Checking and topping up the ATF
2. Install shield on ATF pan. To do this, tighten the two fastening screws **-arrows-**. → **Tightening torque: 7.5 ftlb.**
3. Fit engine guard. → 108019 Removing and installing engine guard - chapter on "installing"



Shield to transmission

9PAAD1, 9PAAE1, 9PAAF1, 9PAAJ1

as of MY 2003

Country C00, C02, C05, C07, C08, C09, C10, C11, C12, C13, C14, C15, C16, C18, C19, C20, C21, C22, C23, C24, C25, C26, C27, C28, C32, C33, C34, C35, C36, C37, C38, C39, C45, C46, C98, C99